

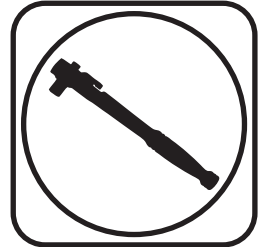


Part # 11382899

1999-2006 Silverado Lower ShockWave/CoilOver StrongArms



Recommended Tools



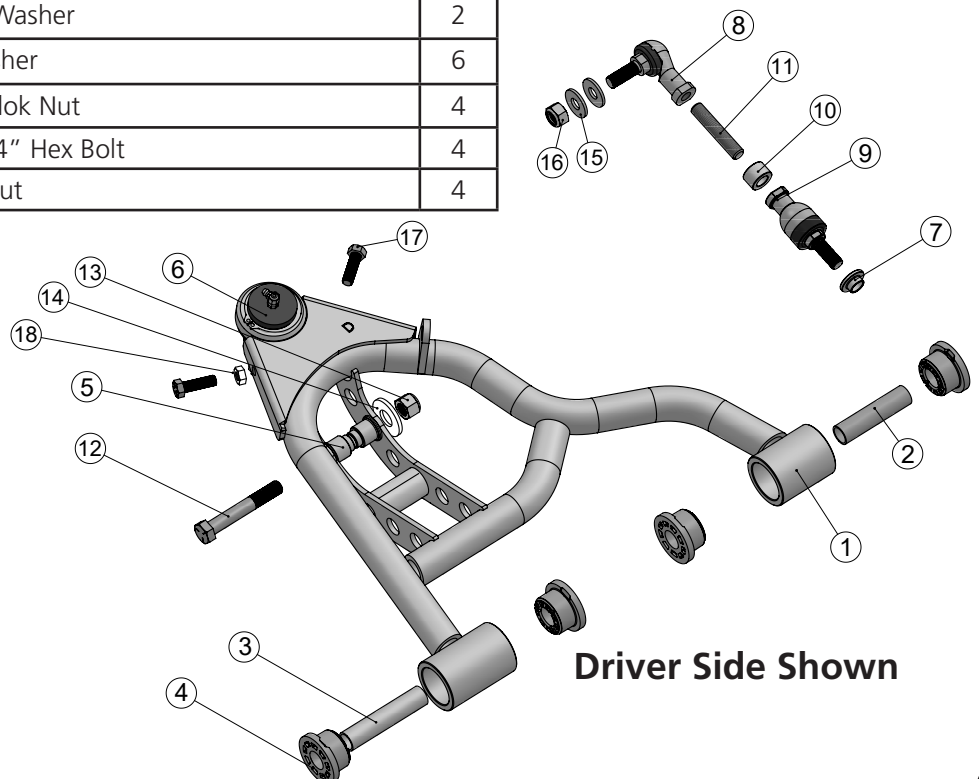
**1999-2006 Silverado Lower StrongArms
Installation Instructions**

Table of contents
Page 2..... Included Components
Page 3..... Getting Started
Page 4..... PosiLink Installation



Lower Control Arm ComponentsIn the box

Item #	Part Number	Description	QTY
1	90000106	Driver Lower Control Arm (Shown)	1
1	90000107	Passenger Lower Control Arm	1
2	90000198	3.0" Inner Sleeve	4
3	90000199	3.5" Inner Sleeve	4
4	70010759	Delrin Bushing - with 2" Diameter Ledge	8
5	90002062	ShockWave/CoilOver Bearing Spacers	4
6	90000901	Lower Balljoint Assembly - Proforged # 101-10073	2
7	90000095	PosiLink T-Bushing	2
PosiLink Assembly			
8	90000921	12mm 90 Degree PosiLink	2
9	90000922	12mm Straight PosiLink	2
10	90000096	PosiLink Spacer	2
11	99125002	M12 - 1.75 x 65mm Threaded Rod	2
Hardware Kit # 99010212			
12	99502009	1/2" Nylok Nut	2
13	99501005	1/2"-13 x 3 1/2" Hex Bolt	2
14	99503014	1/2" SAE Flat Washer	2
15	99433002	7/16" Flat Washer	6
16	99122001	M12 - 1.75 Nylok Nut	4
17	99371014	3/8"-24 x 1 1/4" Hex Bolt	4
18	99372006	3/8"-24 Jam Nut	4

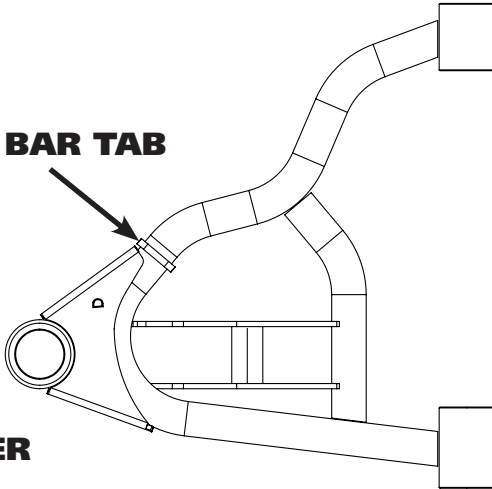




Getting Started.....

2.

SWAY BAR TAB



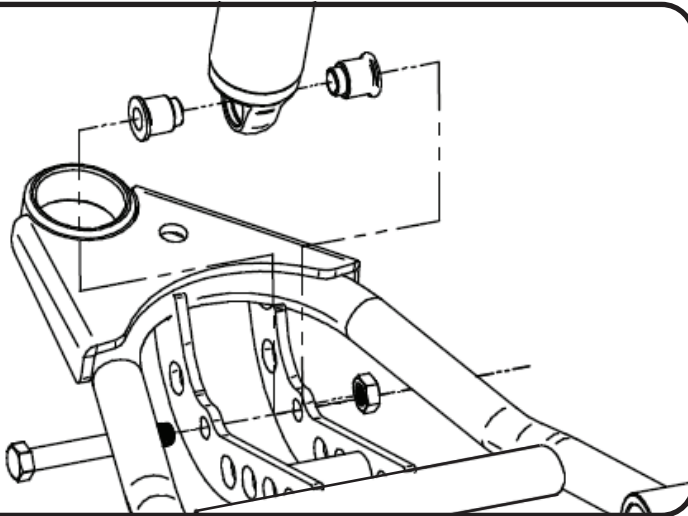
DRIVER

1. Remove the Lower Control Arms, CoilSprings, Shocks, and sway bars linkage. Refer to the factory service manual for disassembly procedure.

2. After removing the factory lower control arm, clean the bushing mounting surfaces on the frame. The Control Arms are marked "D" for Driver and "P" for Passenger. The Balljoint Pin points down and the Sway bar mount is on the front side of the arm. Fasten the lower arm to the frame with the OEM hardware. Torque to 120 ft-lbs.

Note: On some trucks the frame brackets may be pinched and will need to be spread back apart to allow the bushing to slide in.

3.



Install the ShockWaves/CoilOvers at this time. Refer to the CoilOver instructions for Assembly.

3. Insert the Bearing Spacers into the lower shock bearing. Swing the Control Arm up, line up the 1/2" holes with the bearing spacers, insert 1/2"-13 x 3 1/2" bolt. Install a 1/2" flat washer and nylok nut.

4.



4. Install the T-Bushing on the Straight PosiLink end with the Large OD against the PosiLink. Insert the assembly into the swaybar with the threads pointing up. Install a 7/16" Flat Washer followed by a M12-1.75 Nylok Nut. Torque to 50 ftlbs.



PosiLink Installation



5. Install a 7/16" Flat Washer onto the threads of the 90 Degree PosiLink. Insert the PosiLink into the swaybar tab on the control arm with the threads pointing to the FRONT of the truck. Install a 7/16" Flat Washer and M12 - 1.75 Nylok Nut and torque to 50 ftlbs.

5. **Image 6** illustrates the correct assembly and orientation of the PosiLink.

