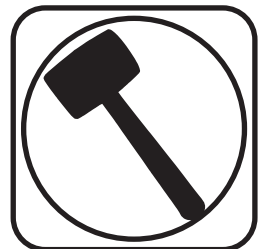
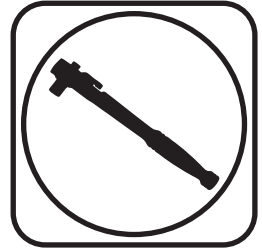




Part # 19013699

Mustang II Upper StrongArms

Recommended Tools



Mustang II Upper StrongArms

Installation Instructions

Table of Contents

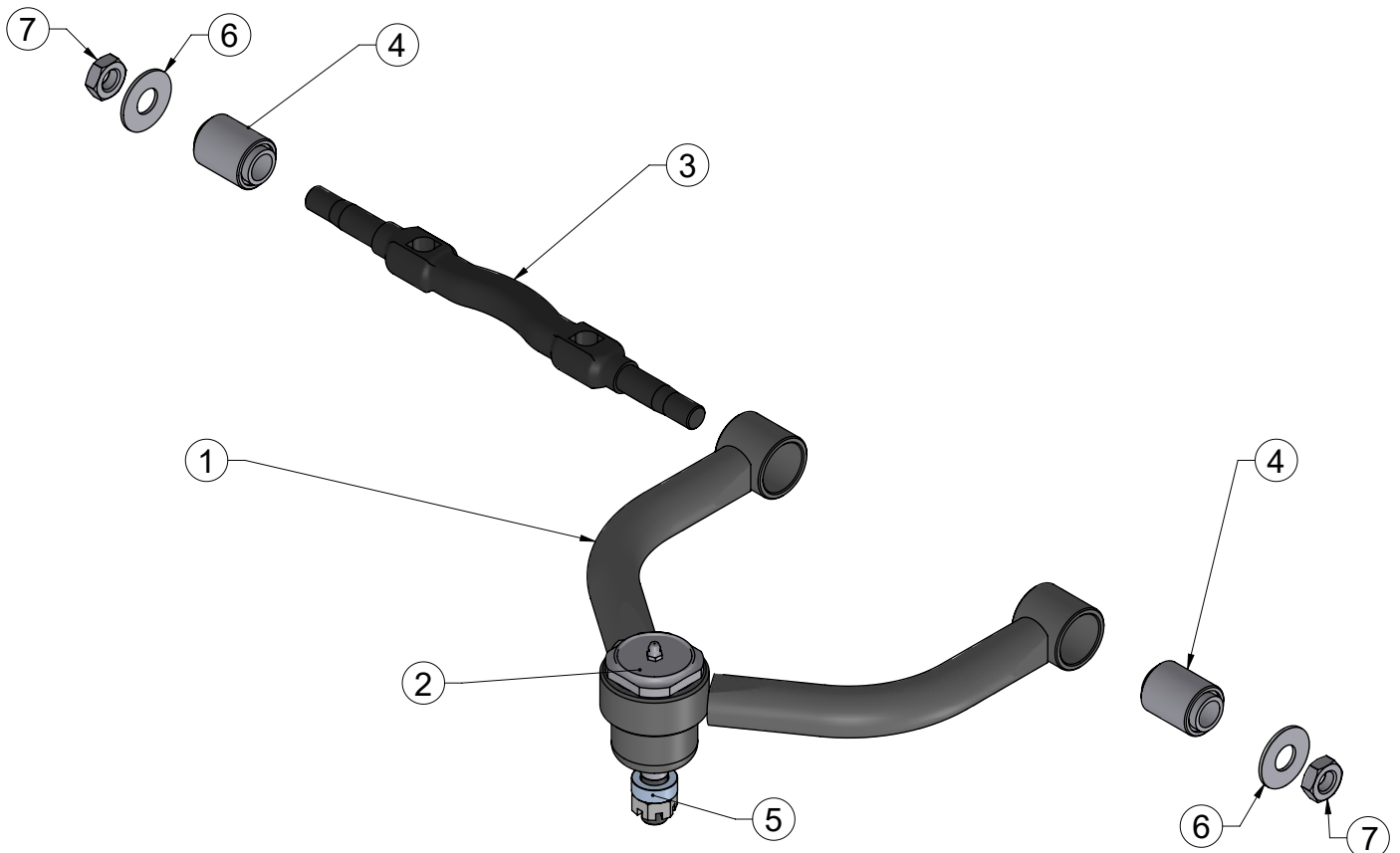
Page 2..... Included Components





Upper Control Arm ComponentsIn the box

Item #	Part Number	Description	QTY
1	90003086	Upper Control Arm	2
2	90000895	Upper Ball joint - Proforged # 101-10126	2
3	90001218	Upper Cross Shaft	2
4	90001219	Upper Control Arm Bushing (Pair)	2
5	90002283	Ball joint Nut Spacer	2
6	99563001	9/16" Flat Washer	4
7	99562003	9/16"-18 Thin Nylok Nut	4



Torque Specs:

Upper Ball Joint - 55 ft-lbs and tighten to align cotter pin hole with castle nut slots. Install cotter pin.

Cross Shaft Mounting Bolts - 80-90 ft-lbs.

Corr Shaft Nuts - 65-75 ft-lbs @ Ride Height. **Torque the cross shaft nuts when the vehicle is sitting at ride height.**